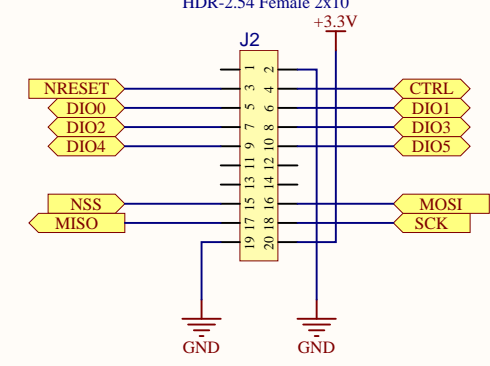


ID	GND
INT5	PA03
INT6	PB07
INT12	PA12
INT4	PB04
	PA08
	PB09
PAD1	PA05
PAD0	PA04
	GND
	VCC
SERCOM0	
HDR-2.54 Female 2x10	



Drawn By: C. Smith	
Engineer: C. Smith	
Project Title <b>LoRa SX1276 Wing Board</b>	
Sheet Title **	
Size <b>B</b>	Sc#ProjectSCHNumber Date: 8/31/2016 11:15:17 AM
Revision: A	Sheet 1 of 1
File: 03-91016_RevA.SchDoc	
<b>Altium</b> Altium.com	